
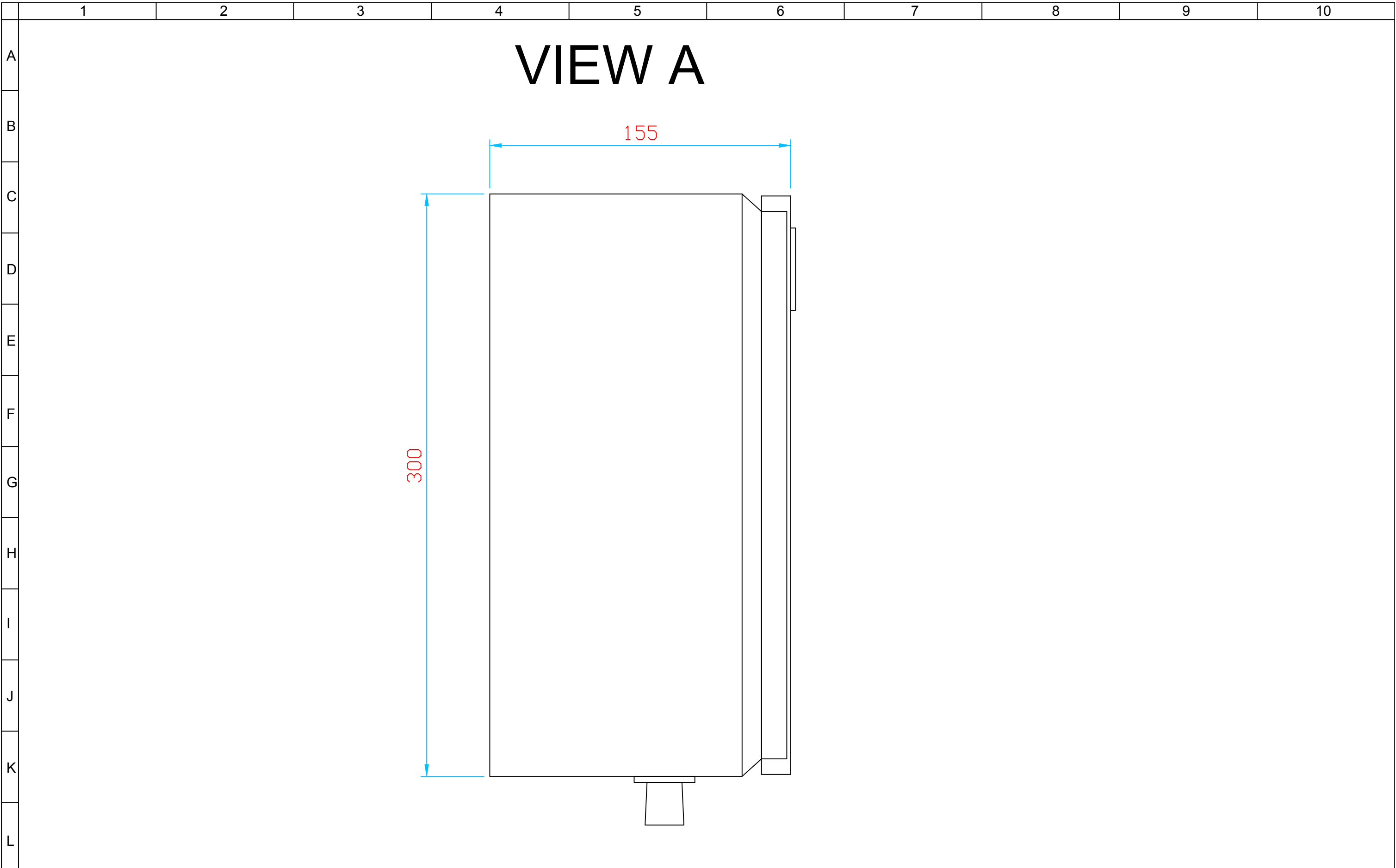



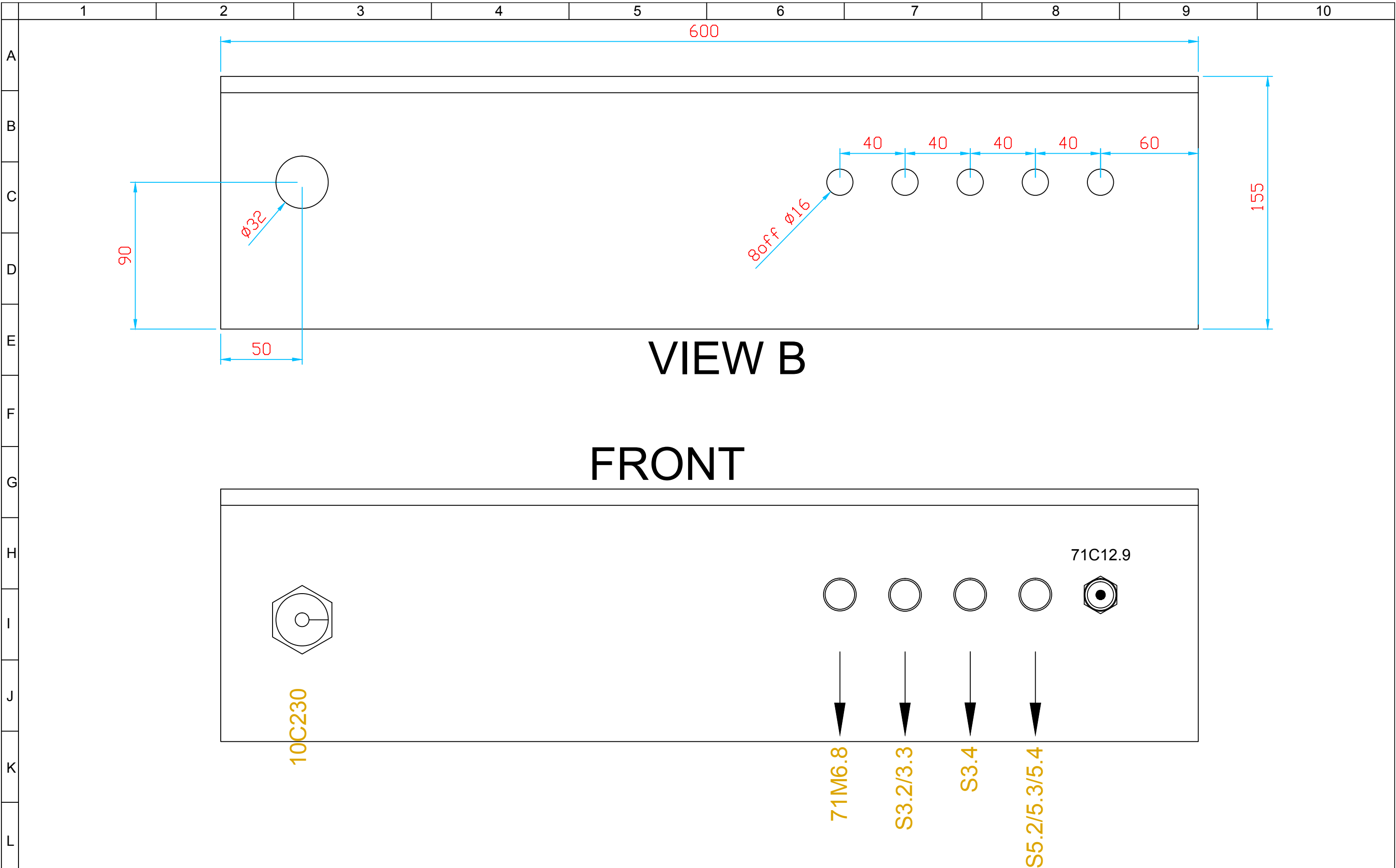
NOTE.
PANEL TO BE HINGED AT THE BOTTOM


VIEW B

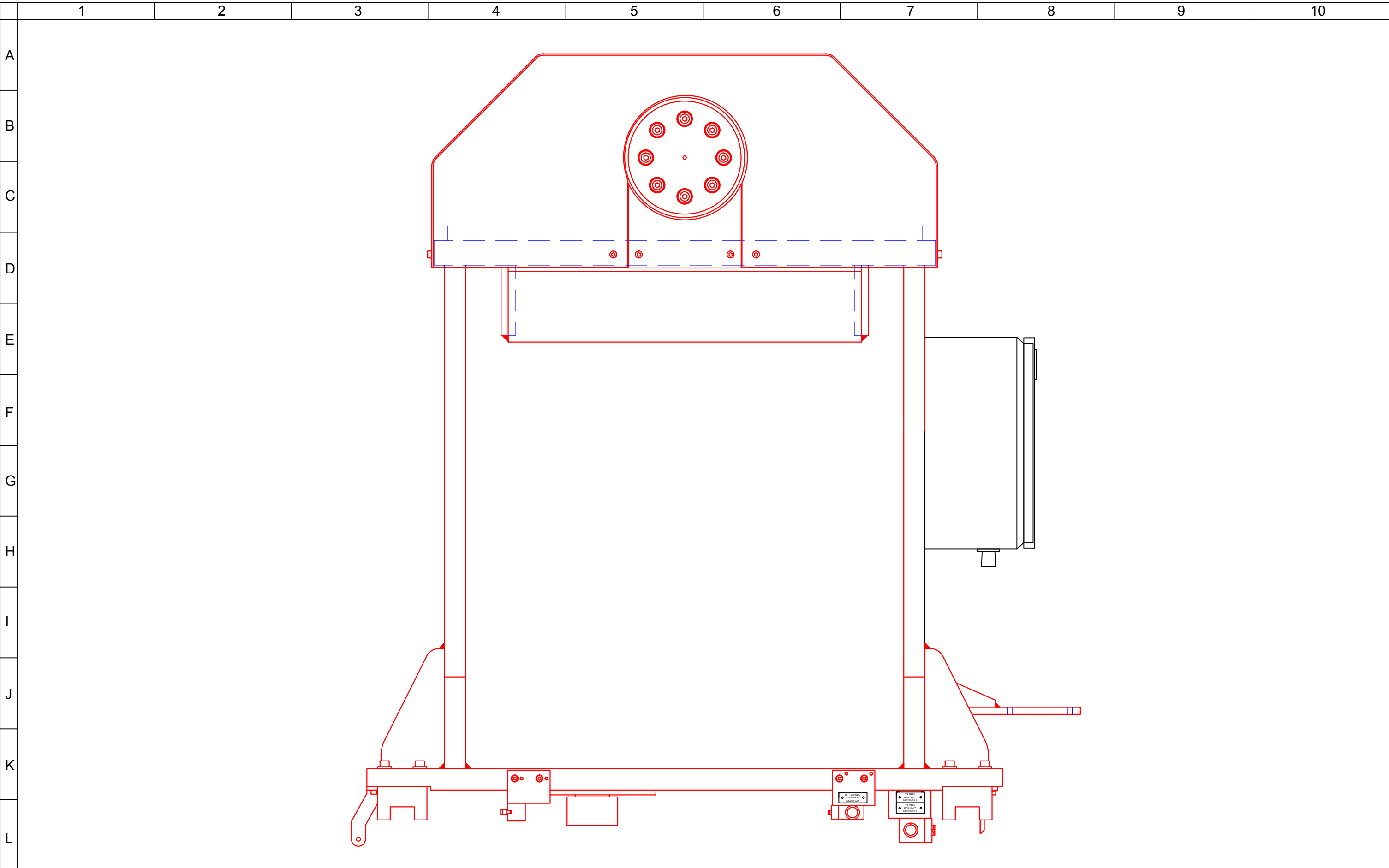
 <p>SARCLAD</p>	<p>Sarclad Limited Advanced Manufacturing Park, Whittle Way, Rotherham, S60 5BL United Kingdom</p> <p><small>Confidential proprietary information of Sarclad Limited. Copyright and design right - Sarclad Limited This drawing and contents are the property of Sarclad Limited and must not be copied or disclosed or used otherwise without the written consent of Sarclad Limited.</small></p>	<p>Title: BASE MACCHINA ROLOTEX - CONTROLLO la disposizione generale punto</p>	<p>Drawn by: APS Jones</p>	<p>Date 14/06/2013</p>	<p>Page no 1</p>	<p>of Pages 8</p>
	<p>Drawing no: V300 99 M200</p>	<p>Checked</p>	<p>Rev E</p>	<p>Contract no</p>		
	<p>Approved</p>	<p>Customer Ref</p>	<p>ASSEMBLY REF V300 99 M200_e</p>			



	Sarclad Limited Advanced Manufacturing Park, Whittle Way, Rotherham, S60 5BL United Kingdom	Title: BASE MACCHINA ROLTEX - CONTROLLO la disposizione generale punto	Drawn by: APS Jones	Date 14/06/2013	Page no 3	of Pages 8					
	<small>Confidential proprietary information of Sarclad Limited. Copyright and design right - Sarclad Limited This drawing and contents are the property of Sarclad Limited and must not be copied or disclosed or used otherwise without the written consent of Sarclad Limited.</small>	Drawing no: V300 99 M200	Checked Approved	Rev <table border="1" style="border-collapse: collapse; text-align: center;"> <tr> <td style="width: 20px;">08/10/13</td> <td style="width: 20px;">E</td> <td style="width: 20px;"> </td> <td style="width: 20px;"> </td> <td style="width: 20px;"> </td> </tr> </table>	08/10/13	E				Contract no Customer Ref	ASSEMBLY REF V300 99 M200_e
	08/10/13	E									



 <p>Sarclad Limited Advanced Manufacturing Park, Whittle Way, Rotherham, S60 5BL United Kingdom</p> <p><small>Confidential proprietary information of Sarclad Limited. Copyright and design right - Sarclad Limited This drawing and contents are the property of Sarclad Limited and must not be copied or disclosed or used otherwise without the written consent of Sarclad Limited.</small></p>	<p>Title: BASE MACCHINA POLITEK - CONTROLLO la disposizione generale punto</p> <p>Drawing no: V300 99 M200</p>	<p>Drawn by: APS Jones</p>	<p>Date: 14/06/2013</p>	<p>Page no: 4 of Pages 8</p>
		<p>Checked:</p>	<p>Rev: E</p>	<p>Contract no:</p>
		<p>Approved:</p>	<p>Customer Ref:</p>	<p>ASSEMBLY REF: V300 99 M200_e</p>



Sarclad Limited
 Advanced Manufacturing Park,
 Whittle Way,
 Rotherham, S60 5BL
 United Kingdom

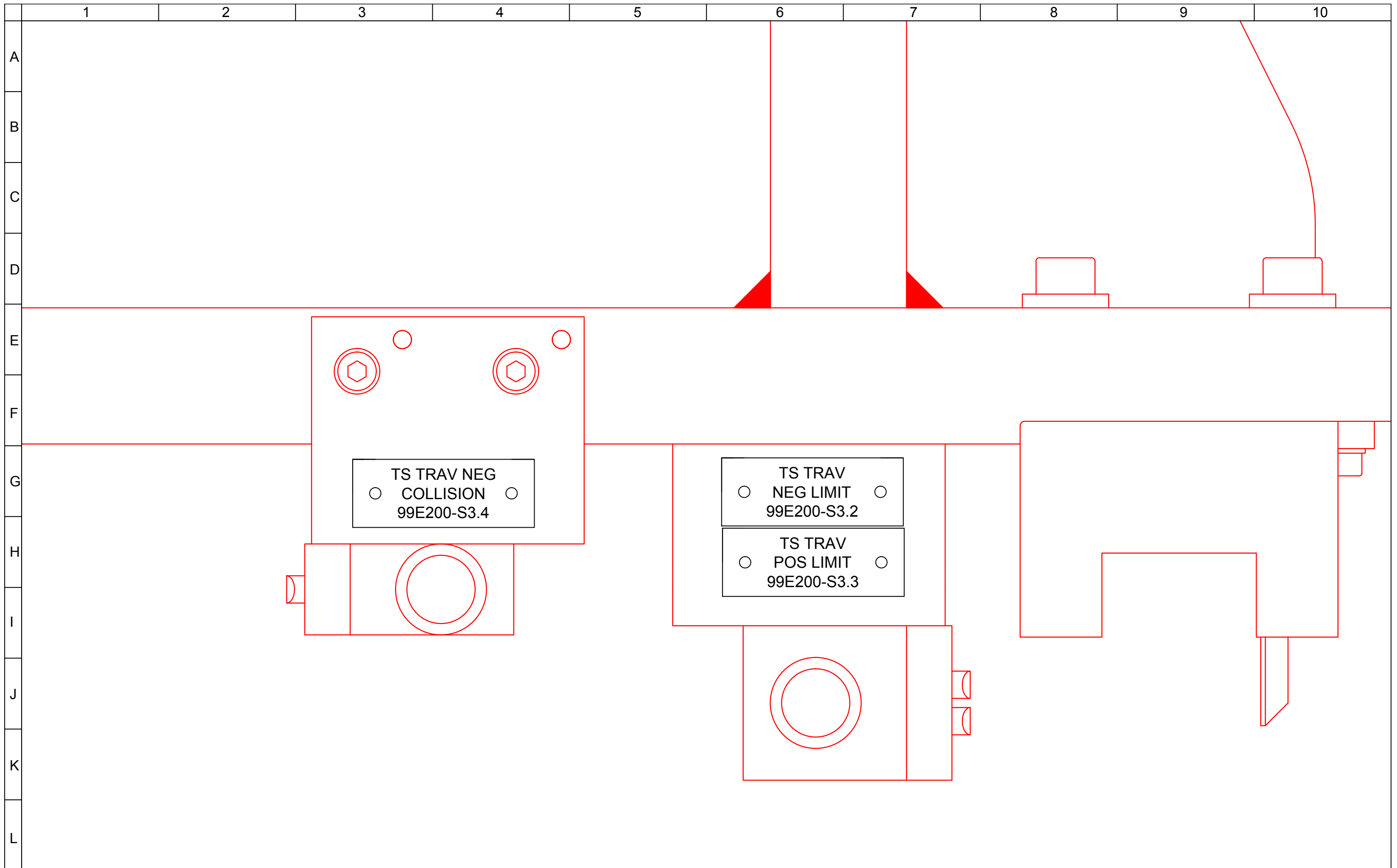
Confidential proprietary information of Sarclad Limited.
 Copyright and design right - Sarclad Limited
 This drawing and contents are the property of Sarclad Limited and must not be copied
 or disclosed or used otherwise without the written consent of Sarclad Limited.

MADE IN AUSTRIA
 la dispo

Title: **BASE MACCHINA ROLTEX - CONTROLLO**
 la dispo

Drawing no: **V300 99 M200**

Drawn by: APS Jones	Date 14/06/2013	Page no 5	of Pages 8
Checked	Rev E	Contract no	
Approved	Customer Ref	ASSEMBLY REF V300 99 M200_e	



Sarclad Limited
 Advanced Manufacturing Park,
 Whittle Way,
 Rotherham, S60 5BL
 United Kingdom

Confidential proprietary information of Sarclad Limited.
 Copyright and design right - Sarclad Limited
 This drawing and contents are the property of Sarclad Limited and must not be copied
 or disclosed or used otherwise without the written consent of Sarclad Limited.

Title:
**BASE MACCHINA ROULETTE - CONTROLLO
 la disposizione generale**

Drawing no:
V300 99 M200

Drawn by:
APS Jones

Checked

Approved

Date
14/06/2013

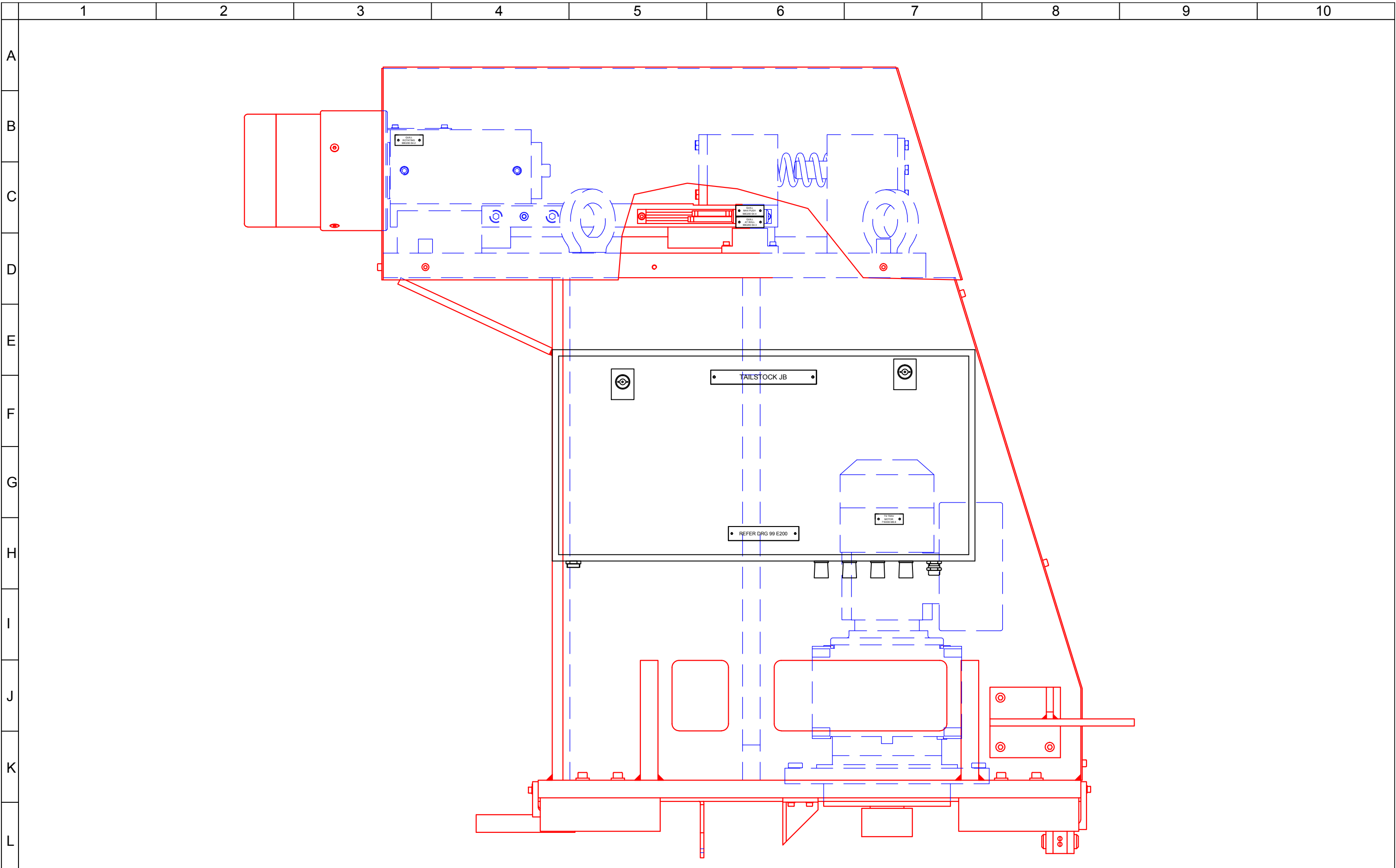
Rev
E

Customer Ref

Page no
6 of Pages
8

Contract no

ASSEMBLY REF
V300 99 M200_e



Sarclad Limited
 Advanced Manufacturing Park,
 Whittle Way,
 Rotherham, S60 5BL
 United Kingdom

Confidential proprietary information of Sarclad Limited.
 Copyright and design right - Sarclad Limited
 This drawing and contents are the property of Sarclad Limited and must not be copied
 or disclosed or used otherwise without the written consent of Sarclad Limited.

Title:
BASE MACCHINA ROLITEX - CONTRO PUNTA
 la disposizione generale
 Drawing no:
V300 99 M200

Drawn by:
APS Jones

Checked

Approved

Date
14/06/2013

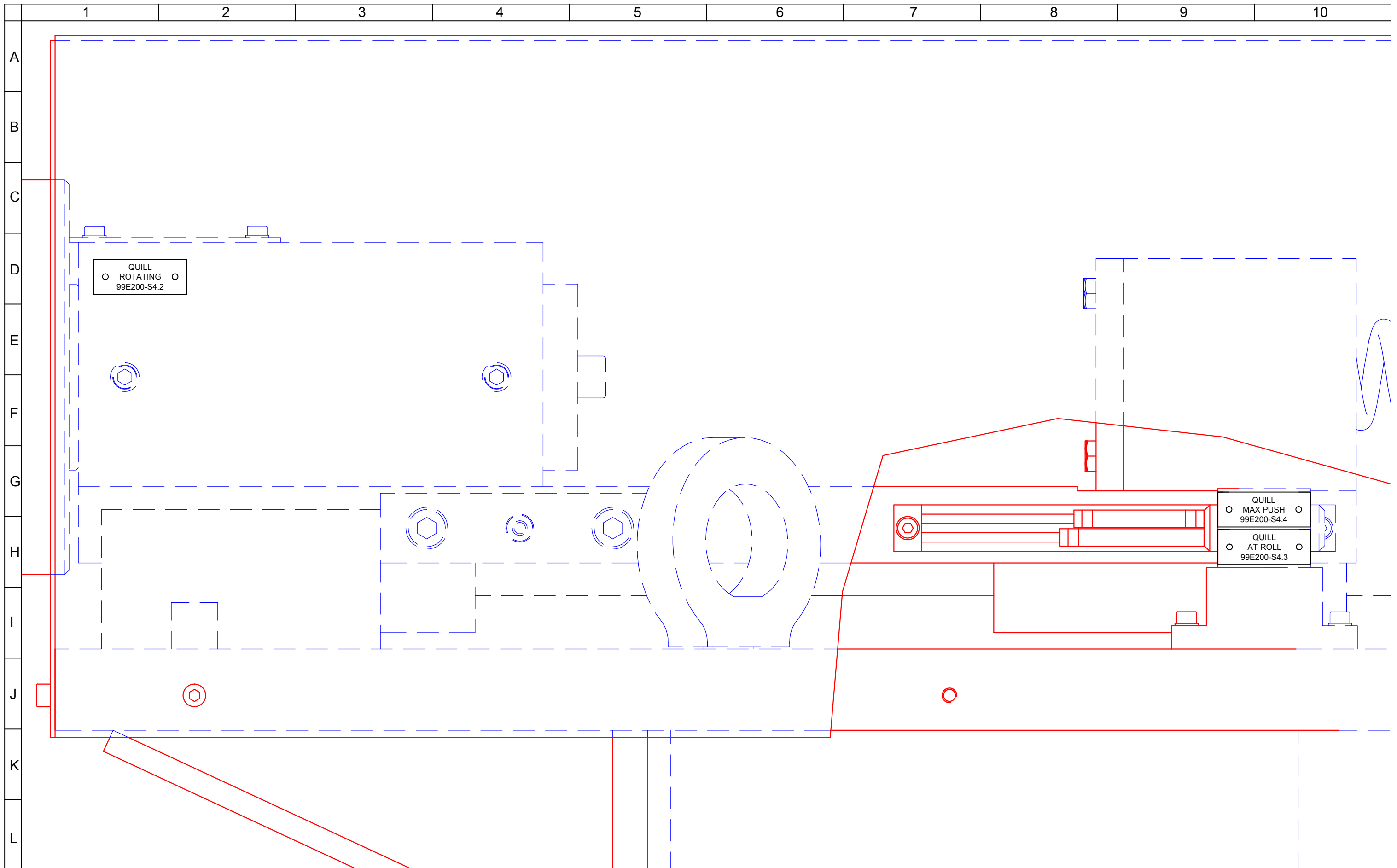
Rev
E

Customer Ref

Page no
7 of Pages
8

Contract no

ASSEMBLY REF
V300 99 M200_e




Sarclad Limited
 Advanced Manufacturing Park,
 Whittle Way,
 Rotherham, S60 5BL
 United Kingdom


Confidential proprietary information of Sarclad Limited.
 Copyright and design right - Sarclad Limited
 This drawing and contents are the property of Sarclad Limited and must not be copied
 or disclosed or used otherwise without the written consent of Sarclad Limited.

Title: **BASE MACCHINA ROLITEX - CONTROLLO**
 la disposizione generale
 Drawing no: **V300 99 M200**

Drawn by: **APS Jones**
 Date: **14/06/2013**
 Checked: **E**
 Approved: **E**

Page no	8	of Pages	8
Contract no			
ASSEMBLY REF	V300 99 M200_e		

	1	2	3	4	5	6	7	8	9	10
A	08/11/2011 Rev A: New Drawing based upon V230 99 M200, same assembly with Siemens I/O, new switch references									
B	12/05/2012 Rev B: Update I/O PSU base, Changed 71C14.2 to 71C12.9, altered TB2 from doubles to triples, widen TB1, changed border									
C	Rev C:									
D	31-01-2013 APSJ; Update of all machine base drawings, added revision page 20-05-2013 - APSJ; Added Spanish Translations									
E	Rev D: 14-06-2013 - TG; Italian Translations Added									
F	Rev E:									
G	08-10-2013 - TG; 3 x Blanked holes removed from view B, representation of 4 x right angled conduit fittings changed to straight, Height of Tailstock JB lifted to 311mm above base.									
H										
I										
J										
K										
L										

 <p>Sarclad Limited Advanced Manufacturing Park, Whittle Way, Rotherham, S60 5BL United Kingdom</p> <p><small>Confidential proprietary information of Sarclad Limited. Copyright and design right - Sarclad Limited This drawing and contents are the property of Sarclad Limited and must not be copied or disclosed or used otherwise without the written consent of Sarclad Limited.</small></p>	<p>Title: BASE MACCHINA ROLETEX - CONTROLLO la disposizione generale punto</p>			<p>Drawn by: APS Jones</p>	<p>Date: 14/06/2013</p>	<p>Page no: 8 of Pages: 8</p>
	<p>Drawing no: V300 99 M200</p>			<p>Checked:</p>	<p>Rev: E</p>	<p>Contract no:</p>
				<p>Approved:</p>	<p>Customer Ref:</p>	<p>ASSEMBLY REF: V300 99 M200_e</p>